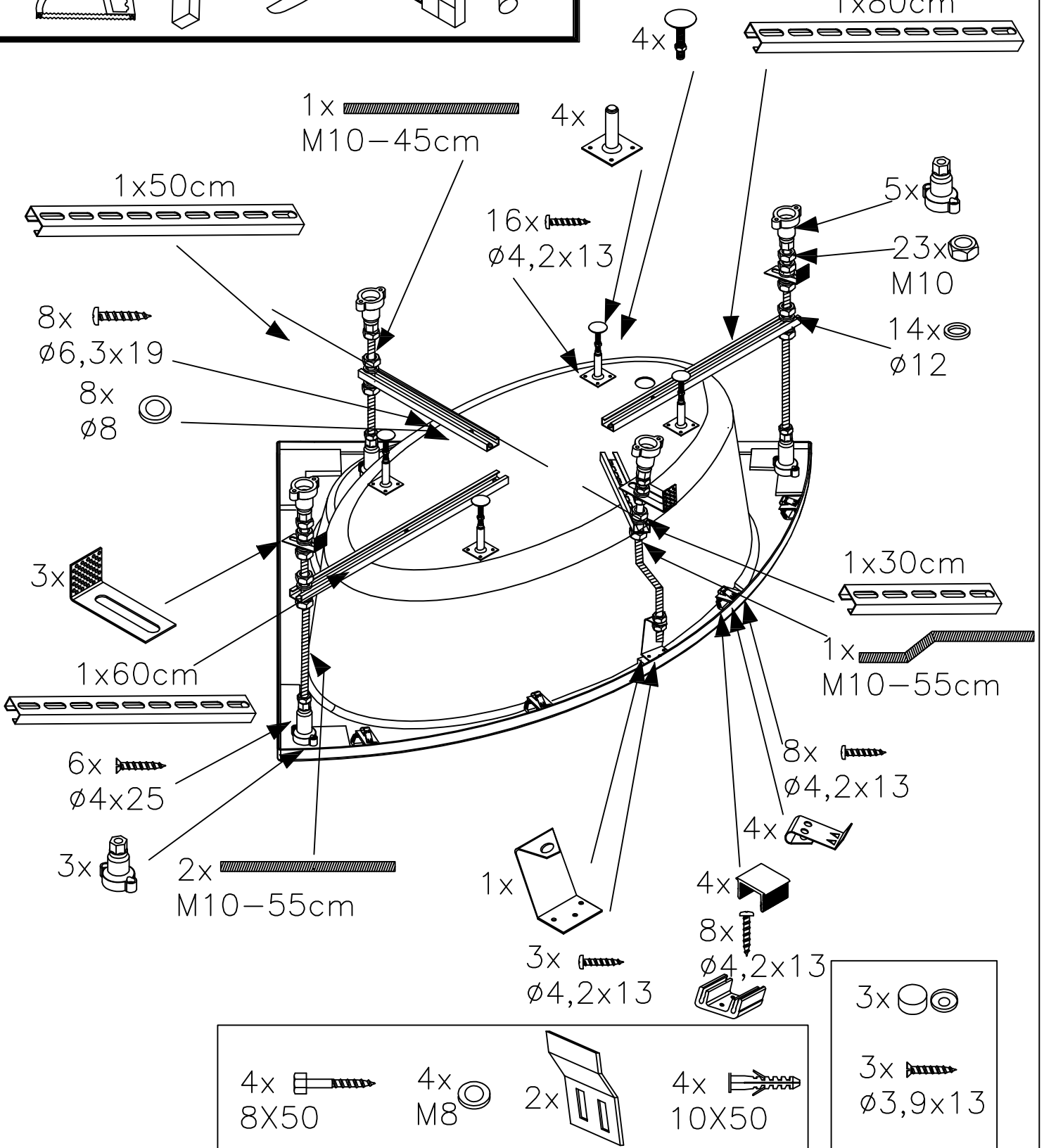
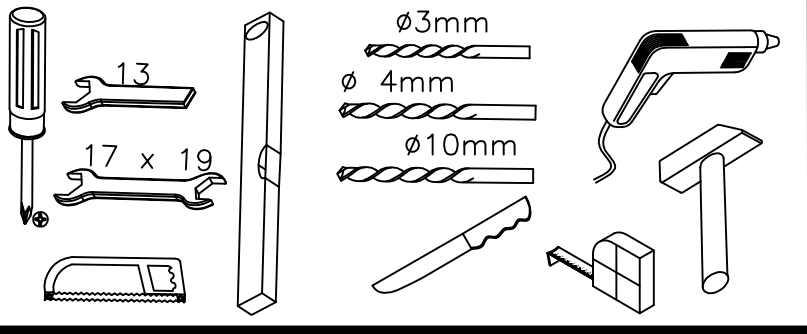
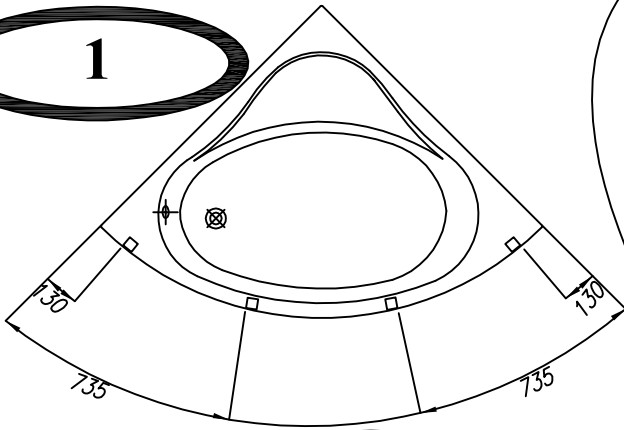


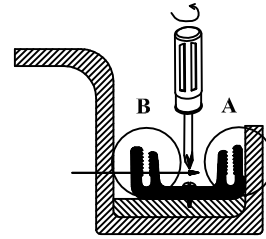
Divante 1/8



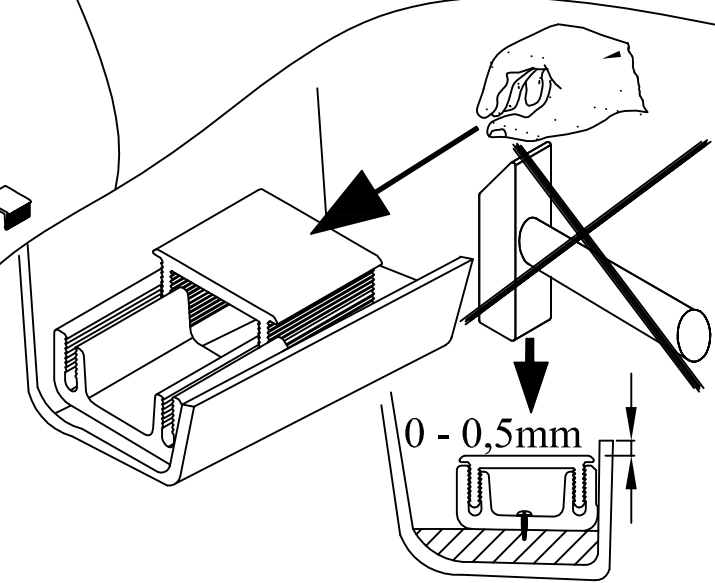
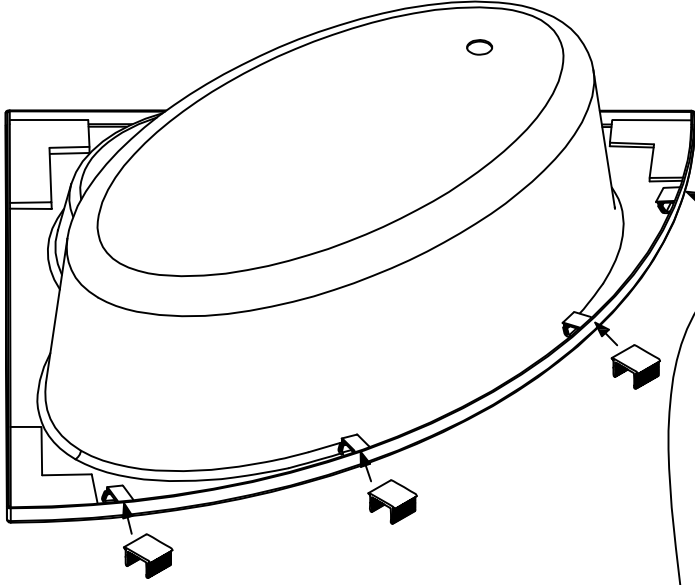
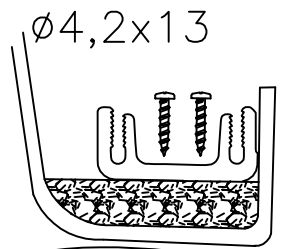
1



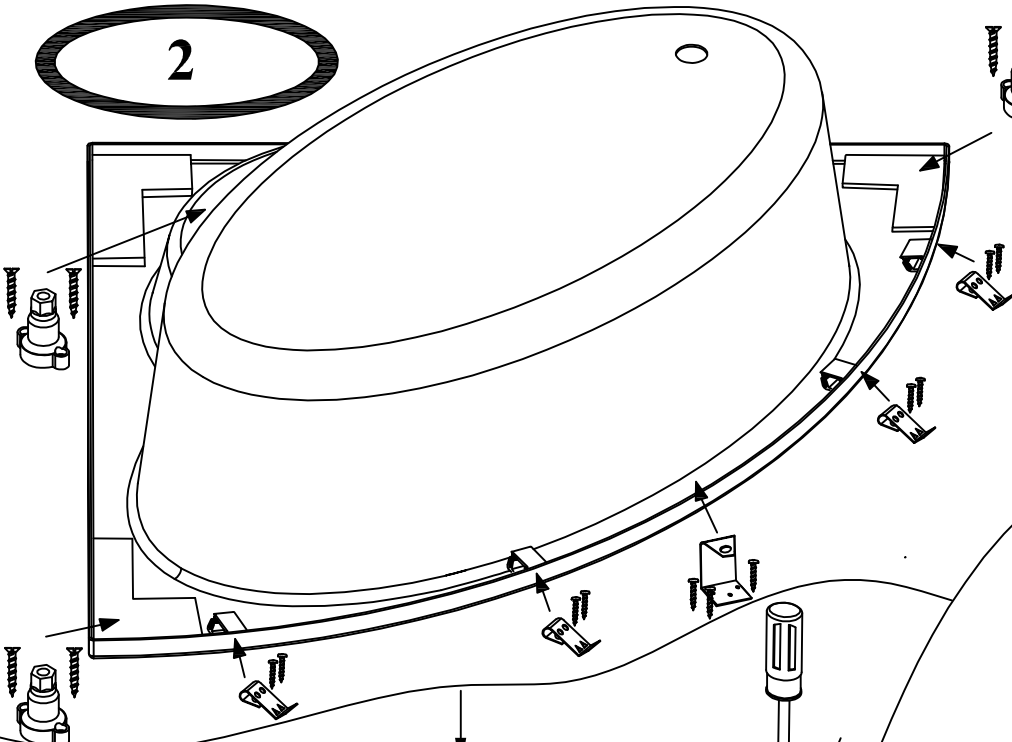
A ≠ B



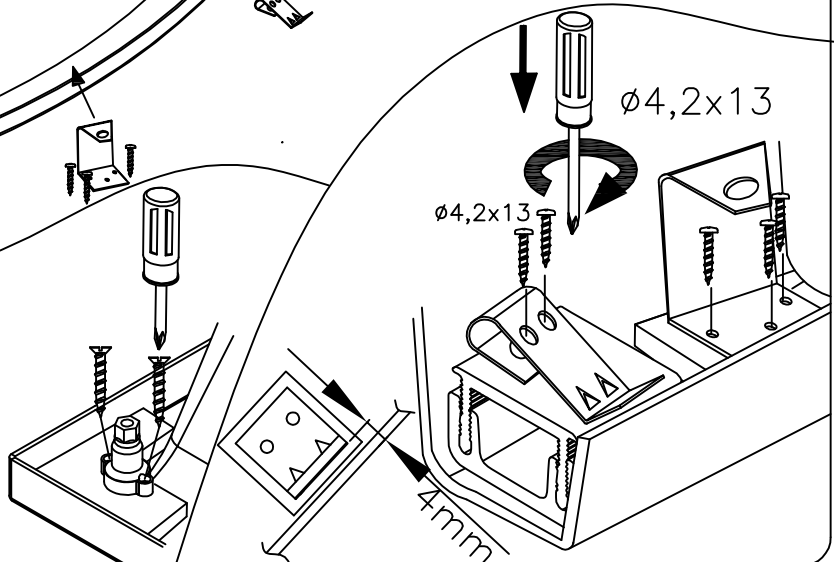
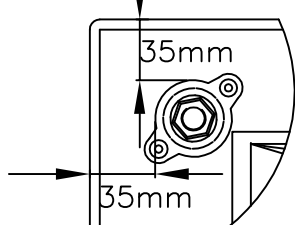
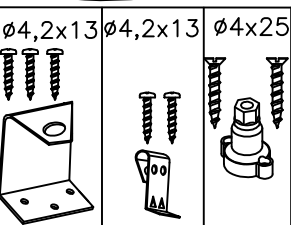
Divante 2/8



2







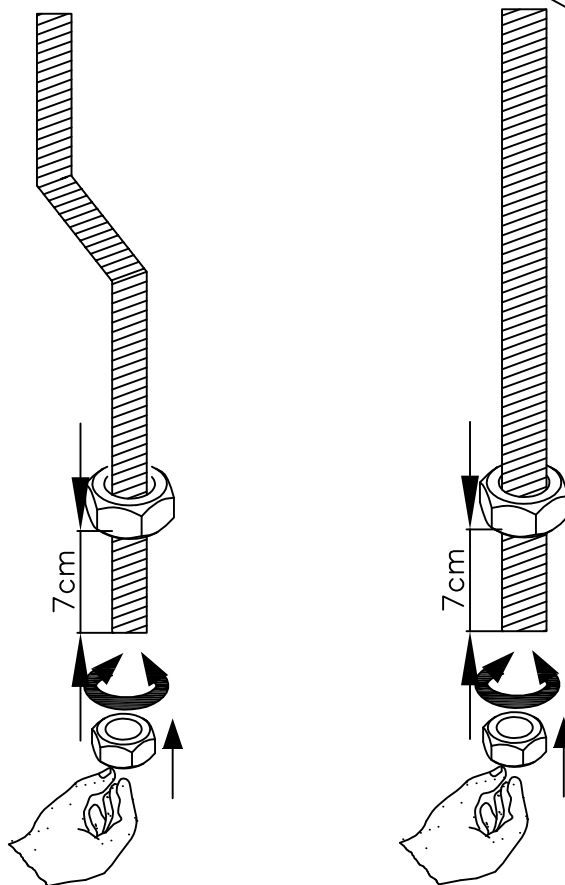
- 4x $\phi 4,5 \times 17$
- 8x $\phi 4,2 \times 13$
- 9x $\phi 4,2 \times 13$
- 3x
- 1x



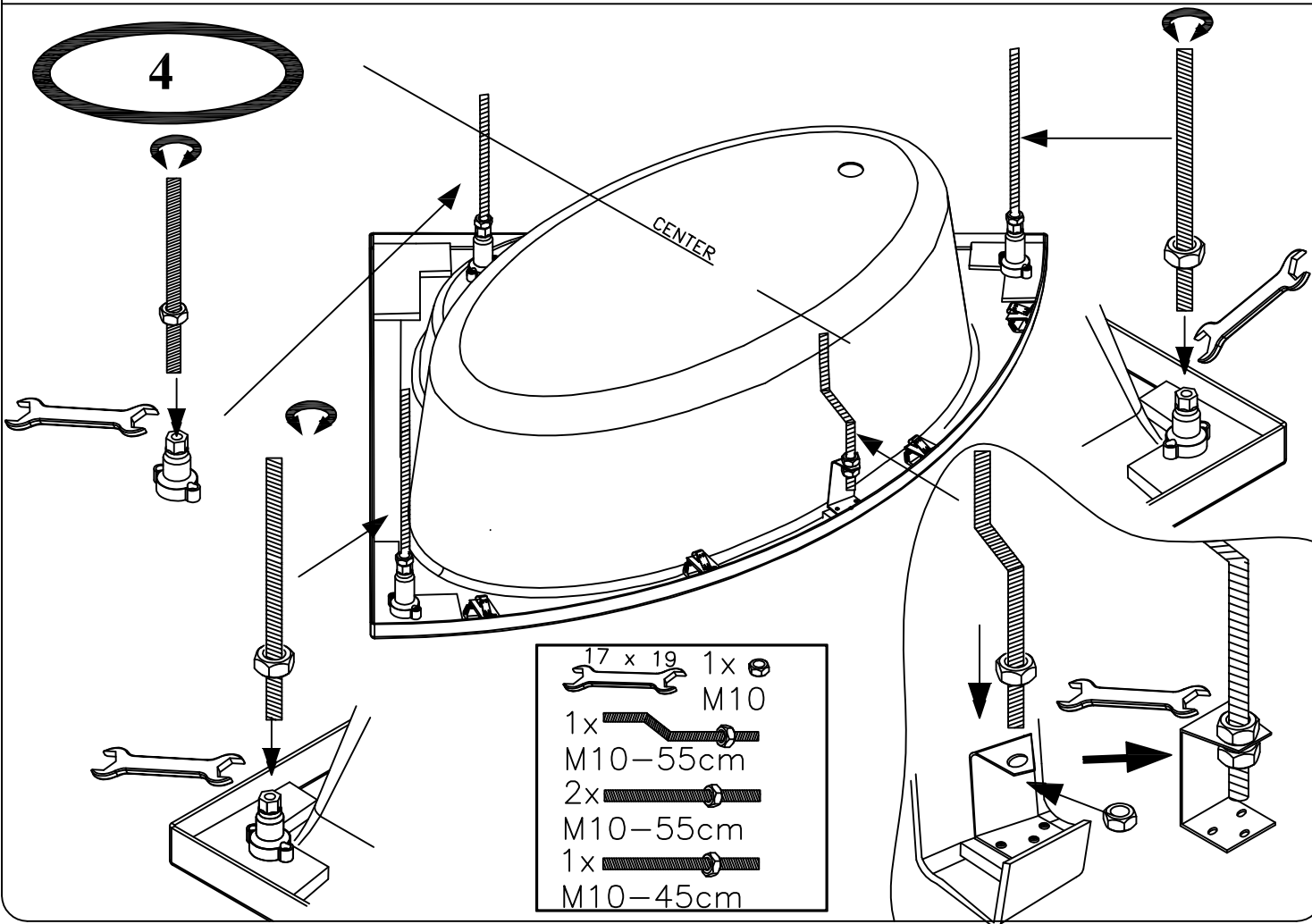
3

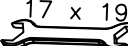




Divante 3/8

- 4x  M10
- 1x  M10-55cm
- 2x  M10-55cm
- 1x  M10-45cm





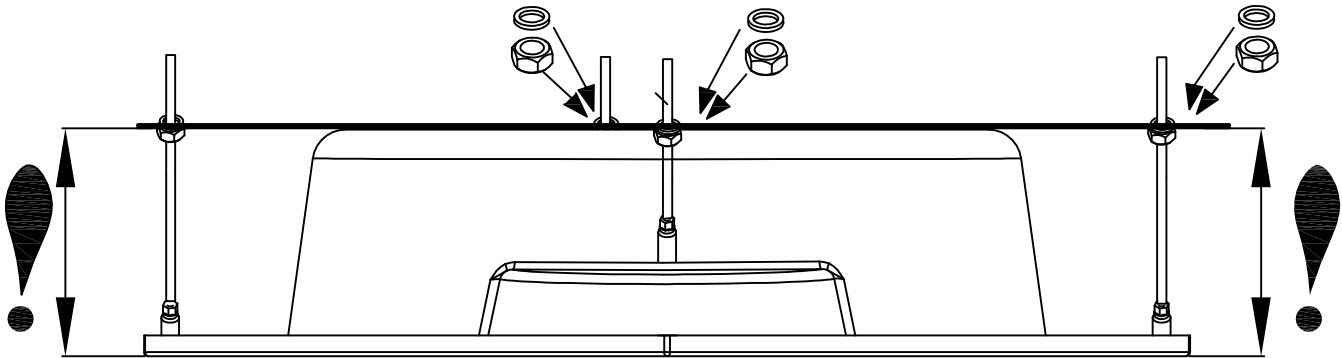
4





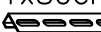
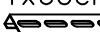
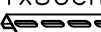
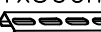
-  17 x 19 1x  M10
- 1x  M10-55cm
- 2x  M10-55cm
- 1x  M10-45cm

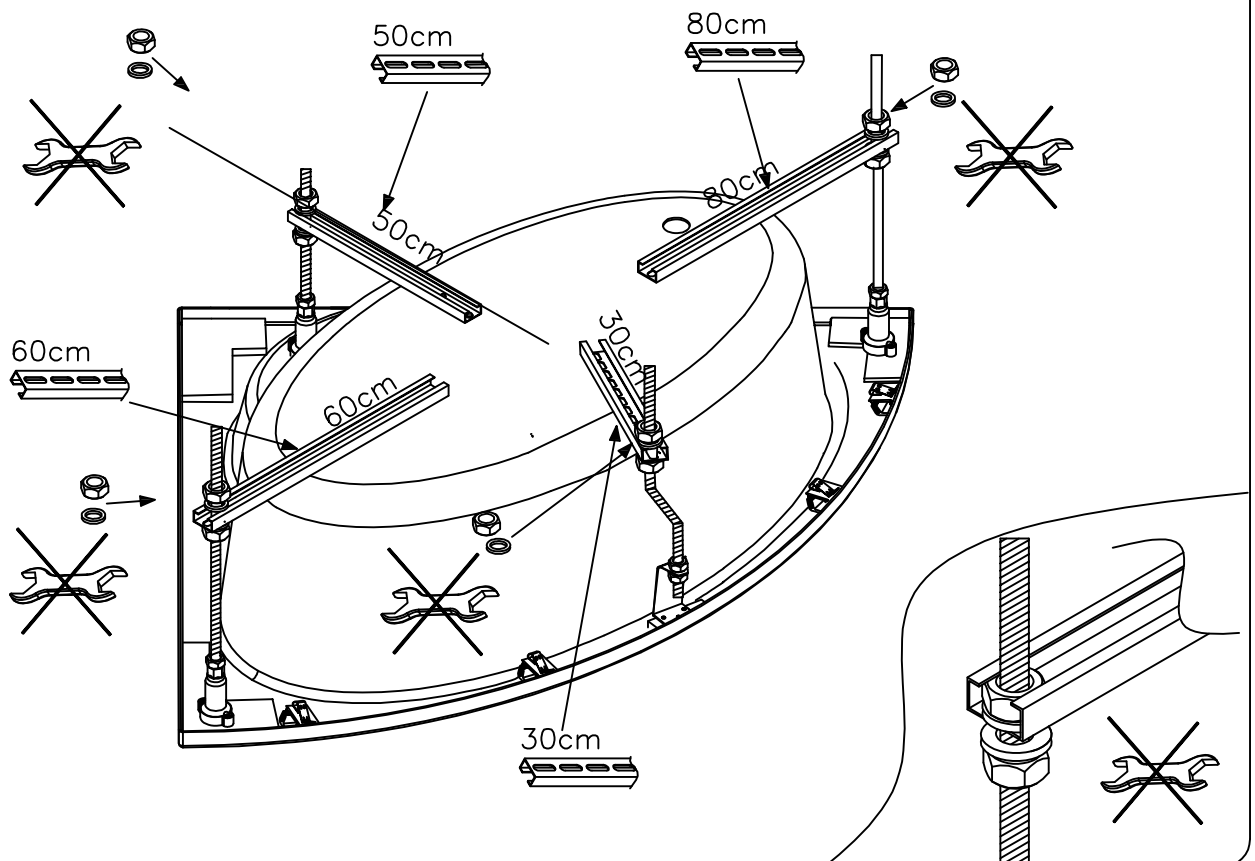
5

4x 	4x 
Ø12	M10

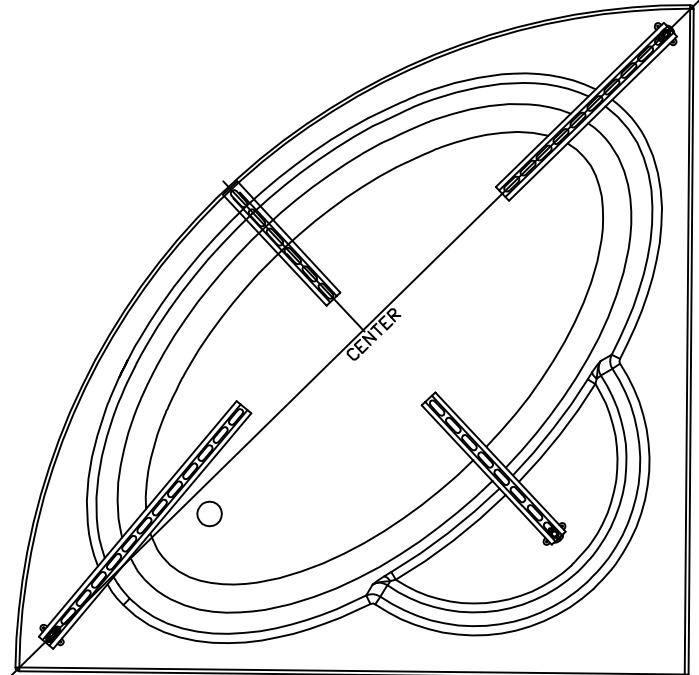
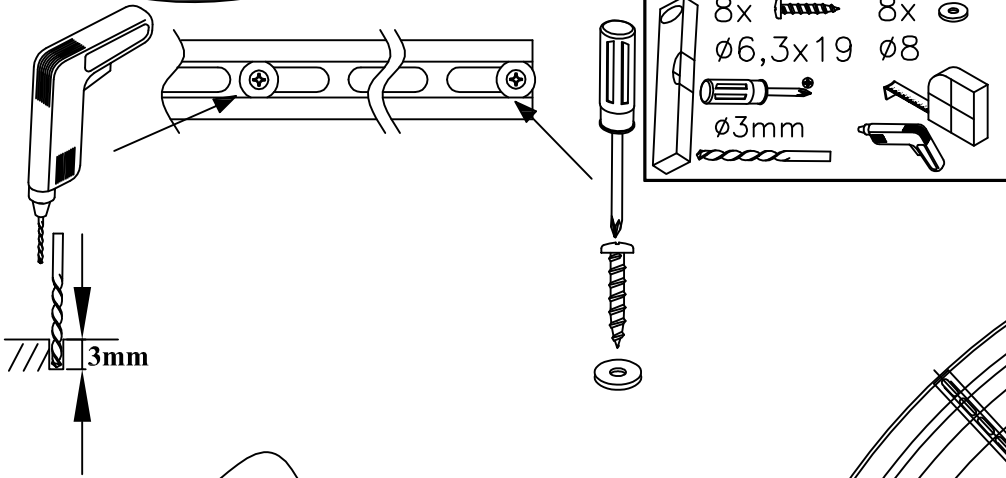


6

4x 	4x 	1x80cm 	1x60cm 	1x50cm 	1x30cm 
Ø12	M10				

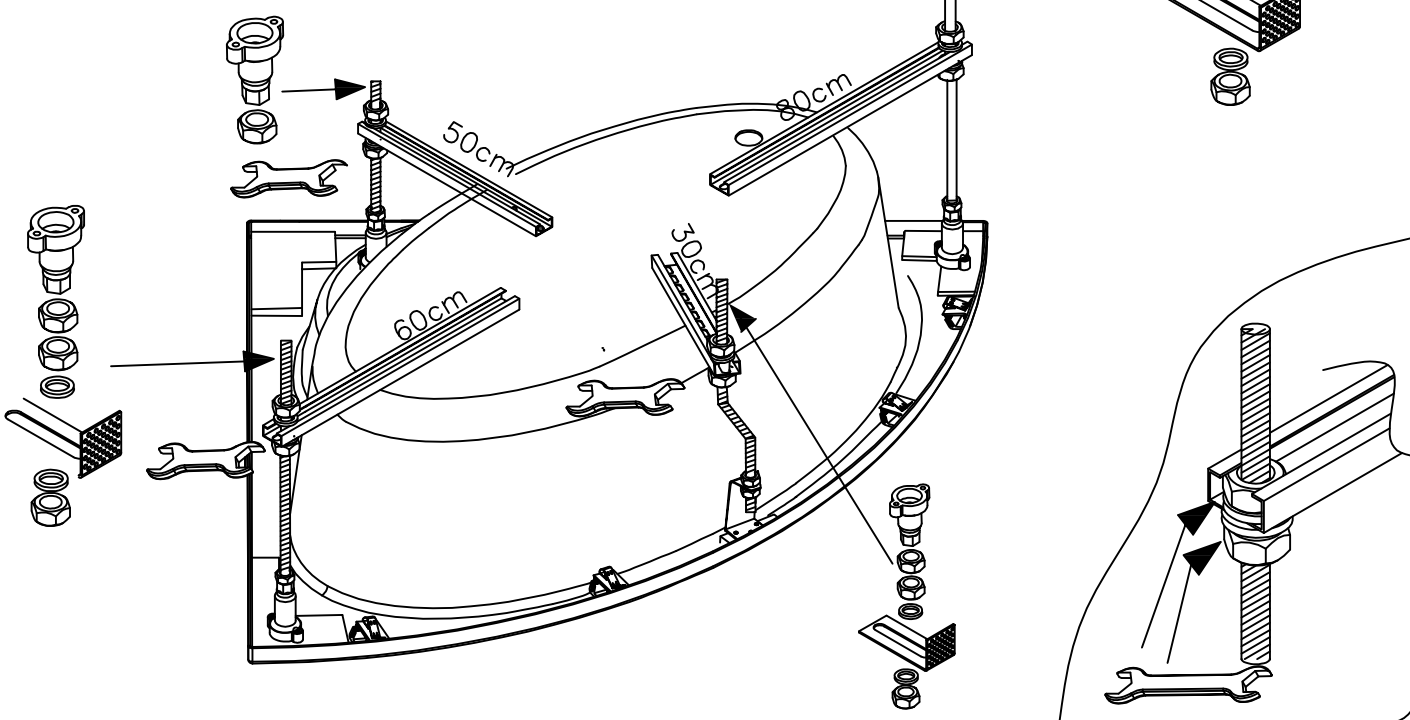


7

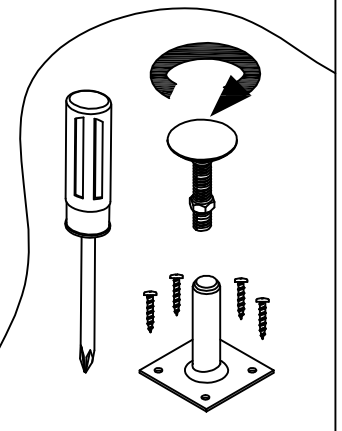
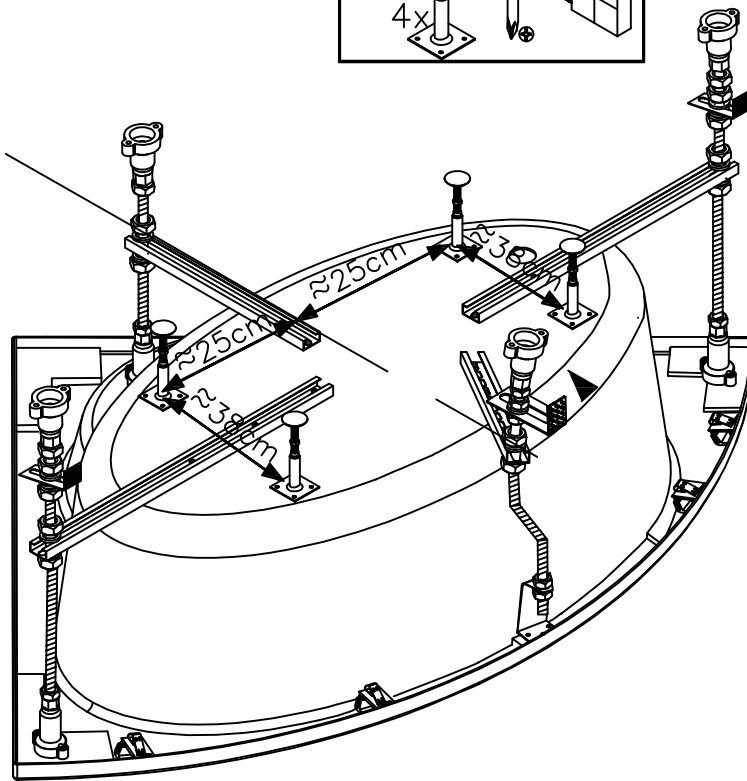
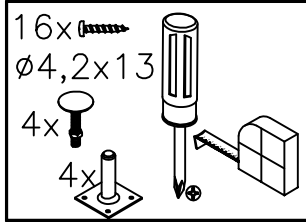


8

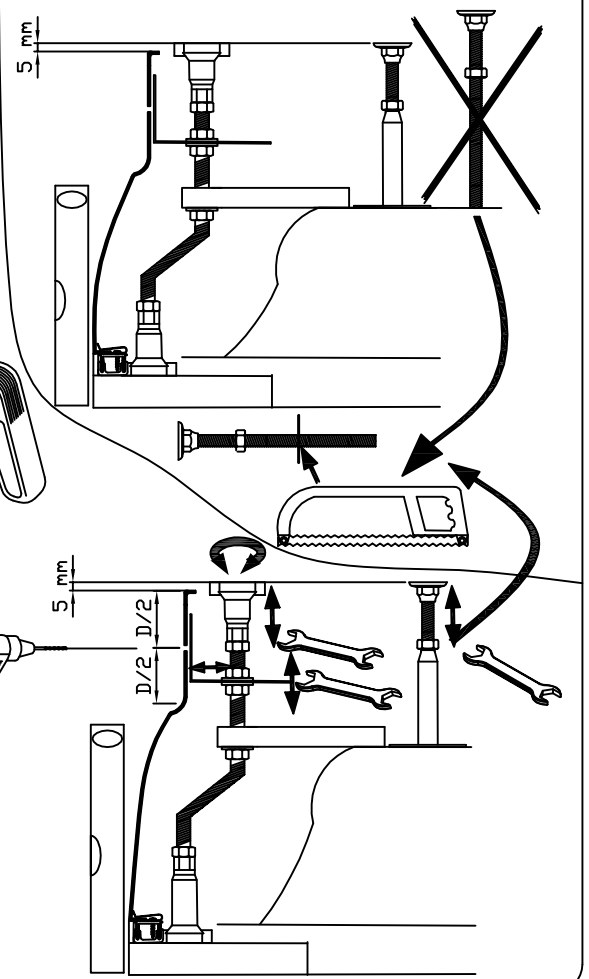
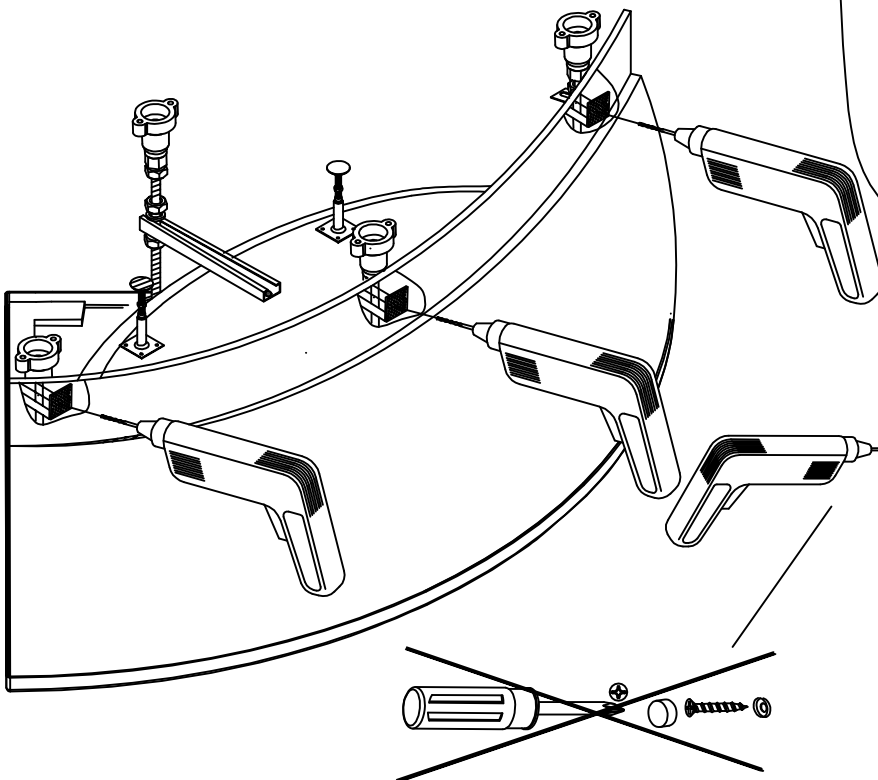
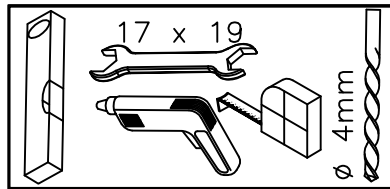
- 6x ø12
- 4x M10
- 10x 17 x 19
- 3x



9

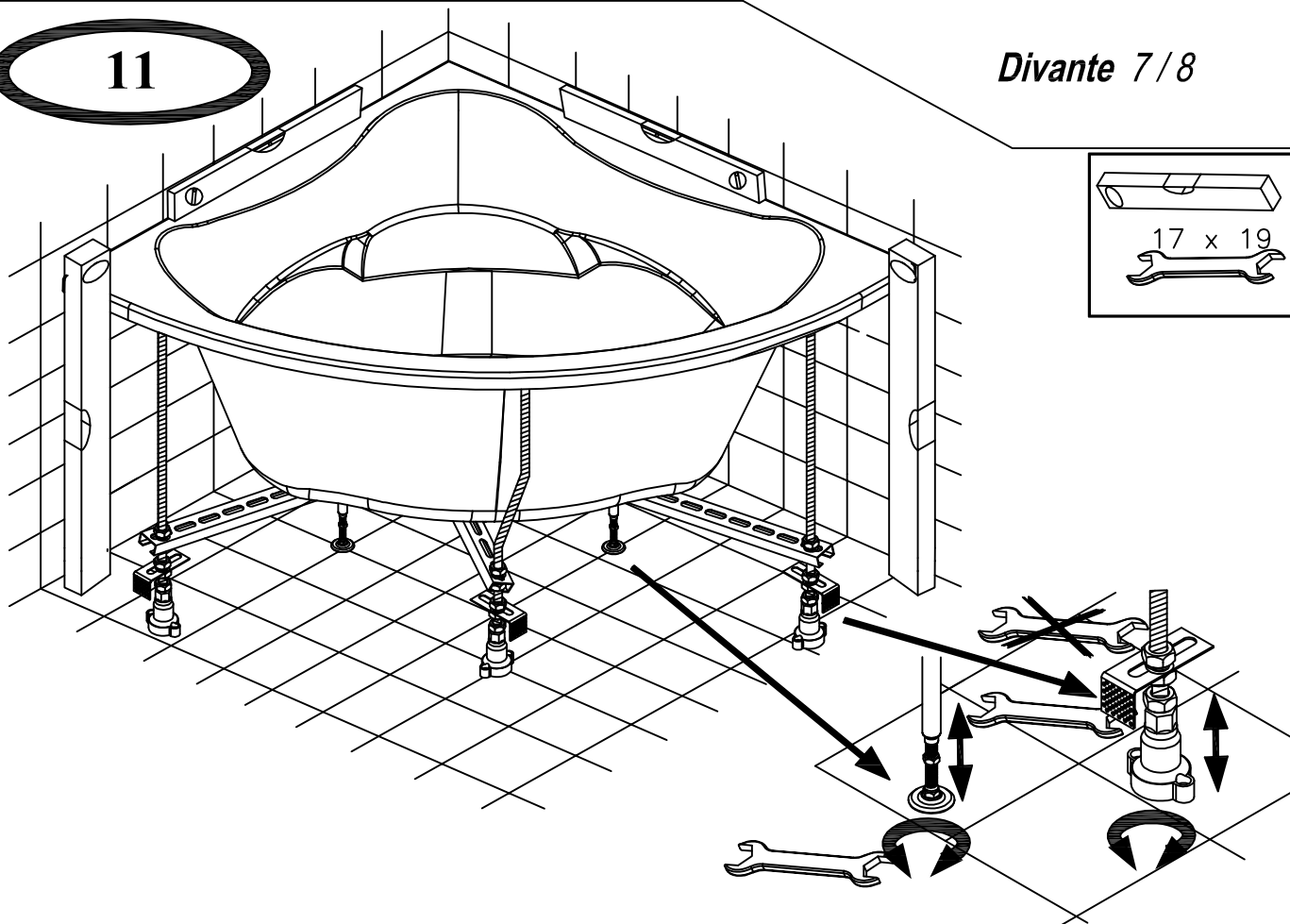
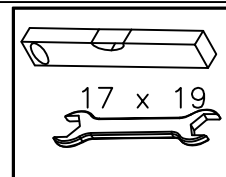


10

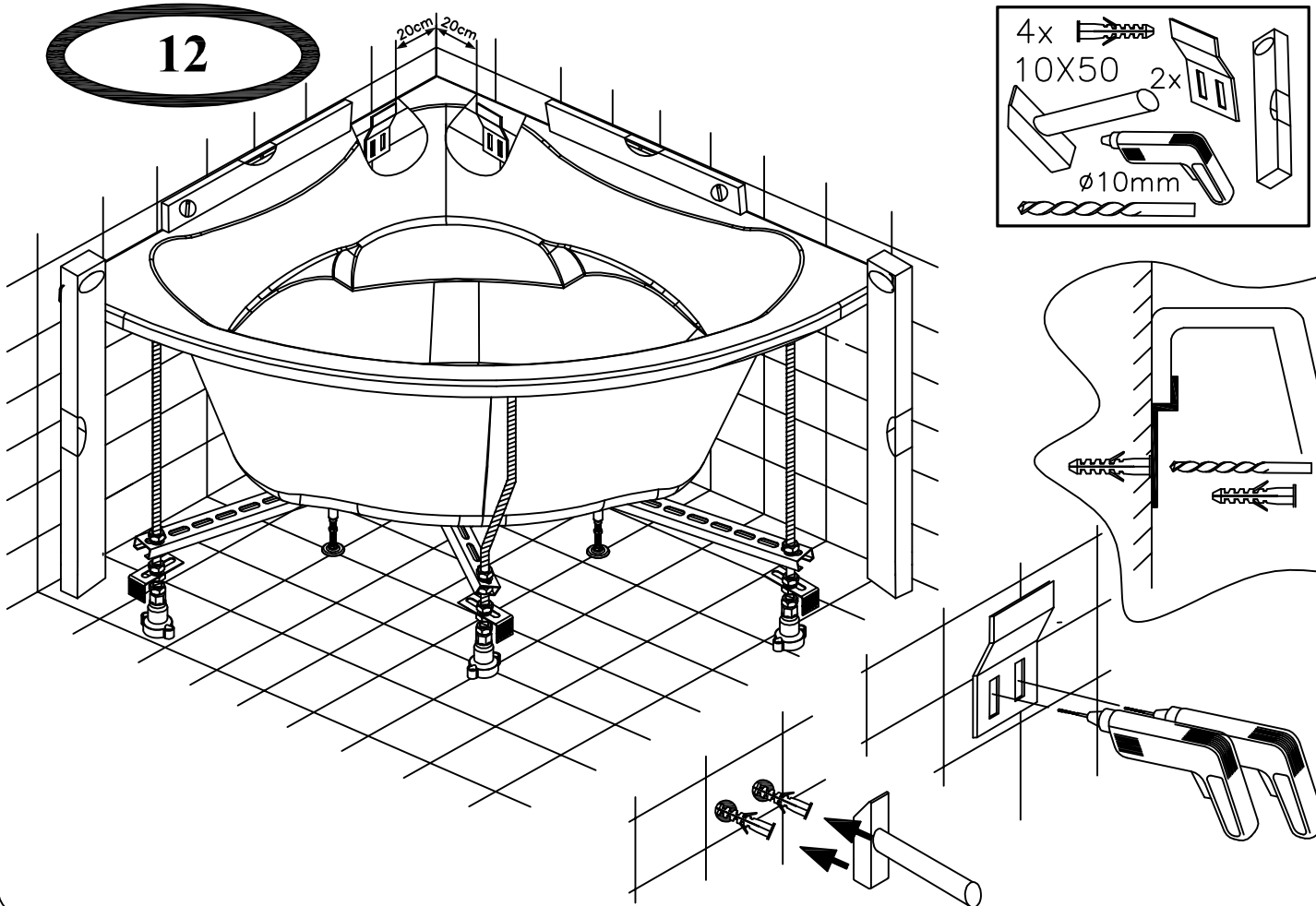
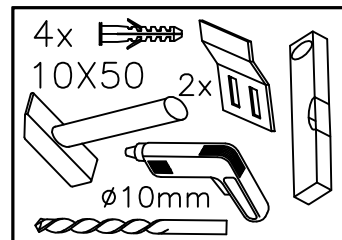


11

Divante 7/8

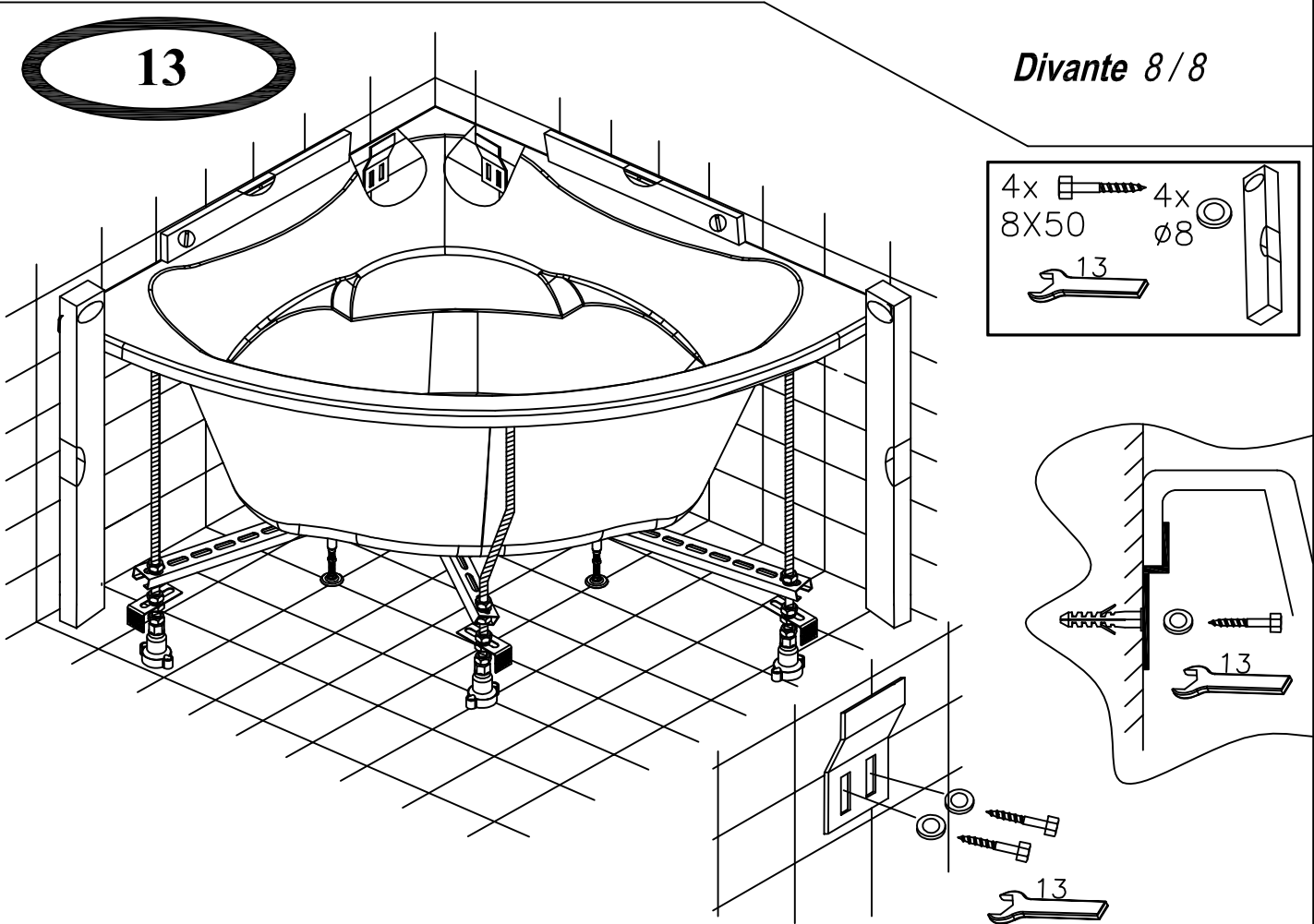


12



13

Divante 8/8



14

4x screws
ø3,9x13
4x washers

